

STRENGTH.  
SAFETY.  
QUALITY.

Now you can order a Timely  
door frame with your next  
T. M. Cobb door purchase.

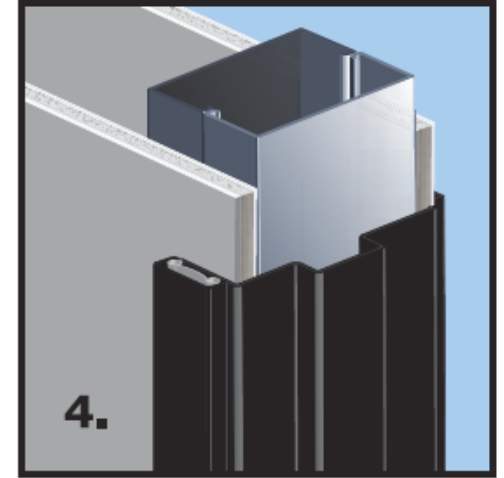
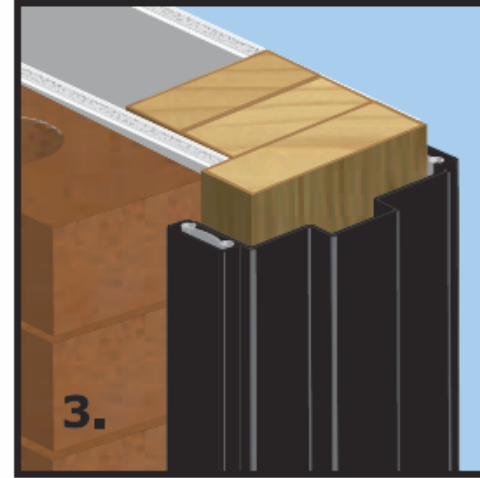
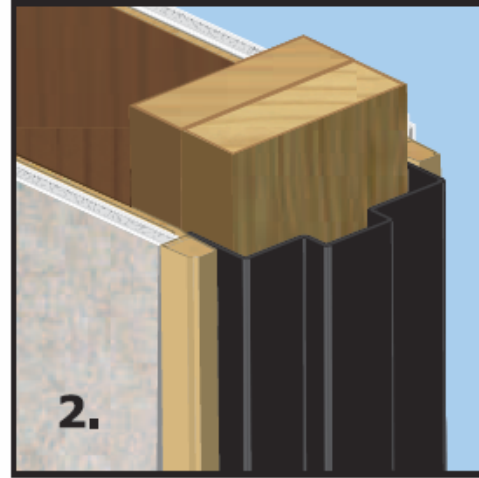
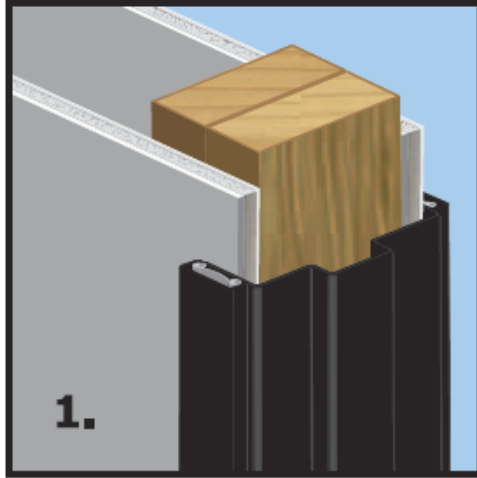


 **T.M. COBB**



**TIMELY**  
PREFINISHED STEEL DOOR FRAMES  
A DIVISION OF S.D.S. INDUSTRIES, INC.

## WALL CONSTRUCTION AND FASTENING



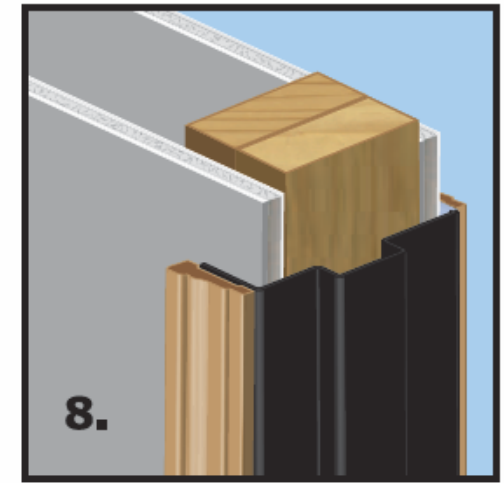
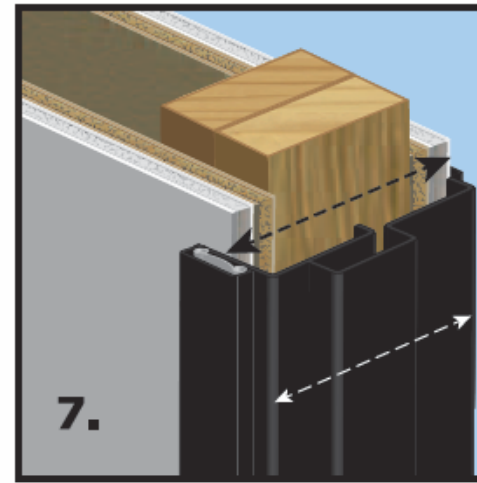
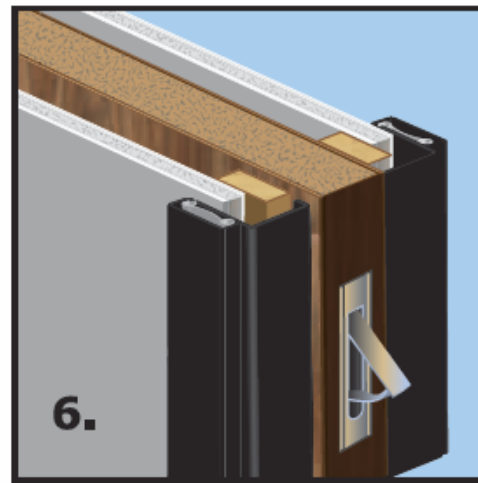
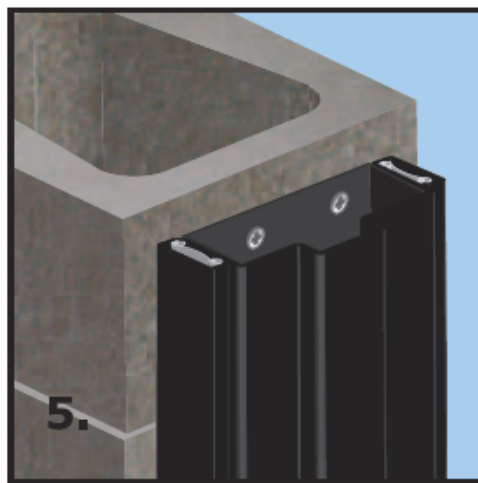
1. Wood Stud and Drywall
2. Wood Stud, Stucco and Drywall
3. Wood Stud, Brick and Drywall
4. Steel Stud and Drywall
5. Masonry and Steel Sub Frame
6. Pocket Door Trim
7. (Adjustable Frame) Wood Stud, Drywall and Sound Board
8. (Traditional) Wood Stud and Drywall



Drywall Screws 6 x 1 1/4"  
Recommended for steel studs



Drywall Screws 6 x 1 1/4"  
Coarse thread recommended for wood studs



Timely frames are adaptable to many different wall conditions. The frame sleeves over the wall and is installed after the wall is finished and can be attached to virtually any type of construction material. Our frame is adapted for use in masonry, brick and stucco applications.

The Timely frame becomes part of the structure when installed and relies on the strength of the framing at each opening to maintain its strength. It is necessary that the framing is secure and any finish materials are applied correctly to ensure adequate rigidity at the opening. We require a minimum projection of 1 1/2" on each side of the rough opening to secure the frame. For applications not shown, our Technical Services Department can assist you in determining the best method of anchorage for your particular applications.

### LEED CONTRIBUTION

MR4.1, MR4.2 – Recycled Content

- Steel Frame with Steel Casing - 28.9% of Material cost
- Steel Frame with Aluminum Casing - 41.2%–45% of Material cost

Daylighting and Views

- Contributes to Daylighting and Views using sidelights, borrowed lights and transoms

Proximity

- Manufactured in Pacoima, CA 91331 (MR5.1)

Jobsite Contribution

- All packaging recyclable
- No jobsite VOC issues

### SUSTAINABILITY

- Easily re-installed in new openings
- 100% recyclable product

# FIRE RATINGS

## SINGLE SWING FRAMES

	Maximum Opening Size		Wall Size		Frame Series
	Width	Height	Min.	Max.	
* 20 Min.	4/0	10/0	3 3/8"	13"	C
45 Min. 'C' Label	4/0	9/0	3 3/8"	13"	SCA** E
90 Min. 'B' Label	4/0	9/0	3 3/8"	13"	SCA** E

\* Negative pressure only.  
\*\* Maximum opening for adjustables 4/0 x 8/0

## PAIR FRAMES

	Maximum Opening Size		Wall Size		Frame Series
	Width	Height	Min.	Max.	
20 Min.	For 20 Min. Pair, use C Label Requirements.				
45 Min. 'C' Label	8/0	9/0†	3 3/8"	13"	SCE
90 Min. 'B' Label	8/0	9/0†	3 3/8"	13"	SCE

NOTES: † Openings over 6/0 wide to 8/0 wide are limited to 8/0 height.

## FULL BOUND WITH DOOR

	Maximum Opening Size		Wall Size		Frame Series
	Width	Height	Min.	Max.	
45 Min. 'C' Label	4/0	5/0	3 3/4"	13"	SCE
90 Min. 'B' Label	4/0	5/0	3 3/4"	13"	C

## ADJUSTABLE PAIR FRAMES

	Maximum Opening Size		Wall Size		Frame Series
	Width	Height	Min.	Max.	
45 Min. 'C' Label	8/0	8/0	3 3/4"	9 1/8"	A
90 Min. 'B' Label	8/0	8/0	3 3/4"	9 1/8"	A

## SIDELITE, BORROWED LIGHT AND GLAZED TRANSOMS "S" OR "C" GAGE

Wood casing permitted on sidelights or borrowed lights for 20 Min. without vertical or horizontal mullions in glass area.

Glass Stop Size	Rating	Max Assembly Size 10'1" W x 10'1" H		Wall Size		Max Glass Area
		Width	Height	Min.	Max.	
1/2"	45 Min.	24"	107"	3 3/8"	13"	*2568 Sq. In.
**1/2"	45 Min.	36"	54"	3 3/8"	13"	1296 Sq. In.
No Stop						
3/4"	45 Min.	36"	54"	3 3/8"	13"	1296 Sq. In.
Glass Stop Size	Rating	Max Assembly Size		Wall Size		Max Glass Area
		Mullions Not Permitted		Min.	Max.	
1/2"	20 Min.	36"	36"	3 3/8"	13"	1296 Sq. In.
***1/2"	†60 Min.	36"	36"	3 3/8"	13"	1296 Sq. In.

† 60 min. negative pressure

## GENERAL INFORMATION

All ratings are usable for steel stud, wood stud, or masonry construction (Steel subbuck).

When using a wood sub-buck in place of Timely's metal insert for masonry construction, drywall must be used on both sides.

Single frames not prepared for strikes must use TA-12 rim panic strike reinforcement.

Fire ratings not approved for deadbolt strike only.

Reinforcements are required when using door closers to maintain fire rating.

Fire ratings not approved for 1 3/8" frames.

All ratings approved for category "A" and "B" doors with category "G" edge sealing.

**Solid brass not rated.**

Do not exceed maximum assembly size.

\* Most building codes limit glass area to 1,296 sq. in. Do not exceed 1,296 sq. in. without verifying with local code authorities prior to specifying or ordering.

\*\* Must be caulked using 100% Pure Silicone Sealant.

\*\*\* Must use Firelite glazing and install in a 5/8" wide glazing recess with 100% Pure Silicone Sealant.

**All ratings cover positive or negative pressure except where indicated.**

**PART 1 GENERAL**

**1.1 Section Includes**

- A. Fire-rated, prefinished steel door frames and sidelights.

**1.2 Related Sections**

- A. See Division 8 for related doors and hardware.

**1.3 References**

- A. Intertek Testing Services (WHI).
- B. Underwriter's Laboratory (UL).

**1.4 Submittals**

- A. Product Data: Indicate frame configuration and finishes.
- B. Shop Drawings: Indicate frame elevations, reinforcements, anchor types and spacings, location of cut-outs for hardware and finish.
- C. Provide copies of manufacturer's standard warranty.

**1.5 Quality Assurance**

- A. Manufacturer: A firm with no less than 10 years experience in the manufacturing of the principal materials for the required work.
- B. Installer: A firm with no less than 5 years experience in the installation of pre-finished frames as demonstrated by previous Successful installation.

**1.6 Regulatory Requirements**

- A. Fire rated frame construction: Conform to UL 10C standards

**1.7 Delivery, Storage and Protection**

- A. Store frames in dry protected area off the ground. Do not cover with tarp. (Will cause moisture chamber).
- B. Package pre-finished frames individually with all surfaces protected against shipping and handling damage until time of installation.

**PART 2 PRODUCTS**

**2.1 Manufacturers**

- A. Timely Industries, 10241 Norris Ave., Pacoima, CA 818-492-3500.

**2.2 Frames**

- A. (18), (20), gage, (Steel), (Brass), (Stainless Steel).

**2.3 Casings**

- A. Provide (Steel), (Aluminum), (Brass), (Steel), (PVC), (Wood), (\_\_\_\_) casings with corner alignment clips as shown on drawings.

**2.4 Fabrication**

- A. All frames formed from cold rolled sheet steel conforming to ASTM-A366.
- B. Roll form or break frames to standard shapes as shown on drawings.
- C. Prepare frames for heat-treated, zinc-plated casing retainer clips. Clips mechanically fastened for secure, properly aligned installation of casing.

- D. Provide holes on perimeter of frame for insertion of fasteners.
- E. Provide oval alignment slots to allow for insertion of screwdriver to adjust frame.
- F. All frames to have 14 gage hinge-reinforcement with extruded tapped holes, for a minimum of 3/16" thread penetration depth.
- G. Strikes: (Provide for 2 3/4" adjustable "T") (Prepare for field applied ASA 4 7/8" as required).
- H. Provide standard field applied reinforcement for surface mounted hardware.
- I. Provide (WHI), (UL), (\_\_\_\_) fire rated frames as shown on drawings.

**2.5 Finishes**

- A. Factory Finish: Impact resistant polyester baked enamel.
- B. Steel: Chemically cleaned, bonderized, primed and painted in coils. Galvanized steel prior to painting in any exterior, high humidity, or corrosive area.
- C. Provided aerosol touch-up paint for after installation, on-sight repair as recommended by manufacturer.

**PART 3 EXECUTION**

**3.1 Examination**

- A. Verify existing conditions before starting work.
- B. Verify that rough opening sizes and wall thicknesses are acceptable.
- C. Verify finish hardware requirements for each opening to provide proper reinforcement, preparation, and anchorage.

**3.2 Installation**

- A. Coordinate installation with other trades to avoid conflict.
- B. Use (pre-fit template door) (actual door) in opening to assure proper alignment and clearances.
- C. Anchor frame with one drywall screw adjacent to each casing clip.
- D. Align all parts with proper clearance to assure proper fit, tight miters, and desired performance.
- E. Provide instruction sheets for all frames, sidelights, and borrowed lights for field use.

**3.3 Cleaning**

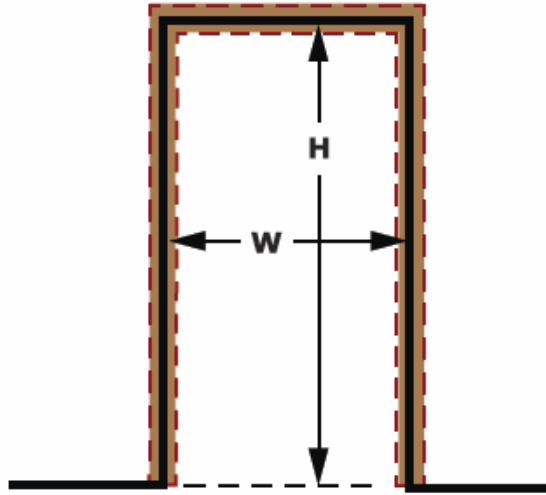
- A. Remove all boxes, wrappers, papers and debris from each opening.
- B. Wipe frames with moist cloth and mild glass cleaner to remove grease, dust, or other debris.

**3.4 Final inspection**

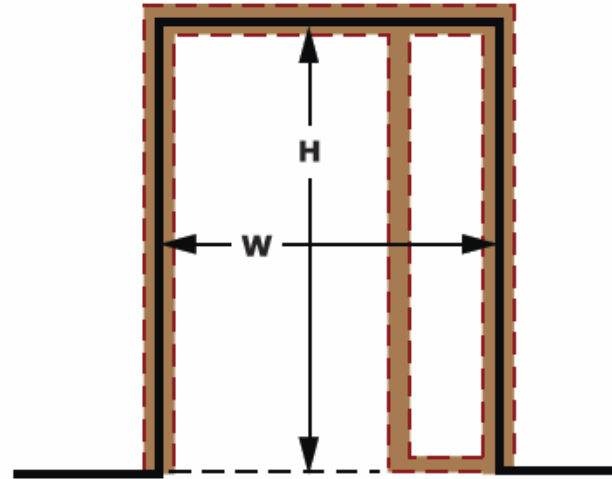
- A. Inspect each opening for proper operation, correct hardware, general appearance and proper installation.
- B. Make any necessary adjustments.
- C. Provide product information, instruction manuals and standard warranty.
- D. Replace any frames shown to be defective under the terms of the manufacturer's warranty.

Walls and floors may be finished before installing doors and frames. Measure height from finished, not rough floor. A minimum 1 1/2" stub wall is required on both sides of the rough opening for solid anchoring. For sub-buck applications (masonry, tilt-up concrete) rough opening is door width plus 4" door height plus 2 1/4".

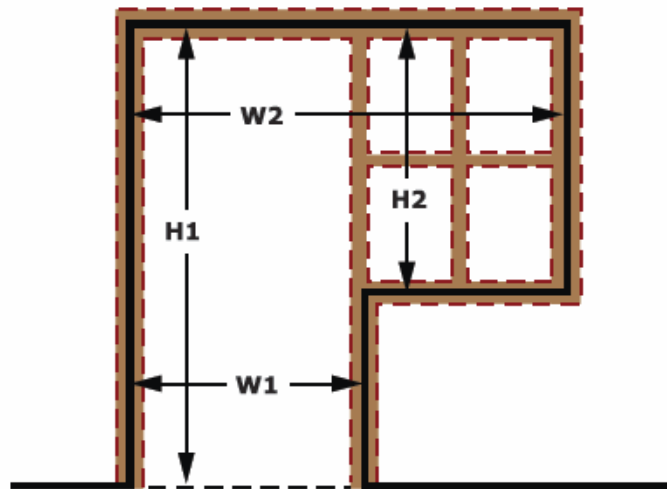
**ROUGH OPENING DIMENSIONS**



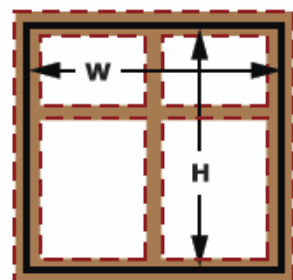
**W** = Nominal Width + 1 1/4"  
**H** = Nominal Height + 1" (Timely standard height)  
**H** = Net Height + 13/16" (All other frame specs)



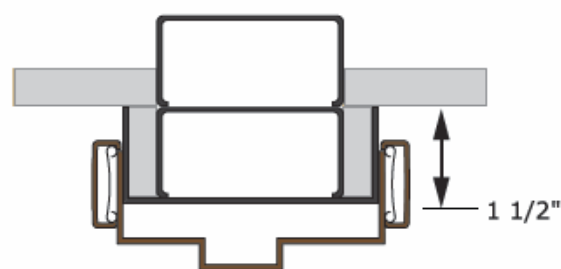
**W** = Nominal Door Width + Net Sidelight Width(s) + 2" for each Mullion + 1 1/4"  
**H** = Nominal Height + 1" (Timely standard height)  
**H** = Net Height + 13/16" (All other frame specs)



**W1** = Nominal Door Width + 1 1/4"  
**W2** = Nominal Door Width + Net Glass Width(s) + 2" for each Mullion + 1 1/4"  
**H1** = Net Door Opening + 13/16"  
**H2** = Net Glass Height(s) + 2" for each Mullion + 1 1/4"



**W** = Net Glass Width(s) + 2" for each Mullion + 1 1/4"  
**H** = Net Glass Height(s) + 2" for each Mullion + 1 1/4"

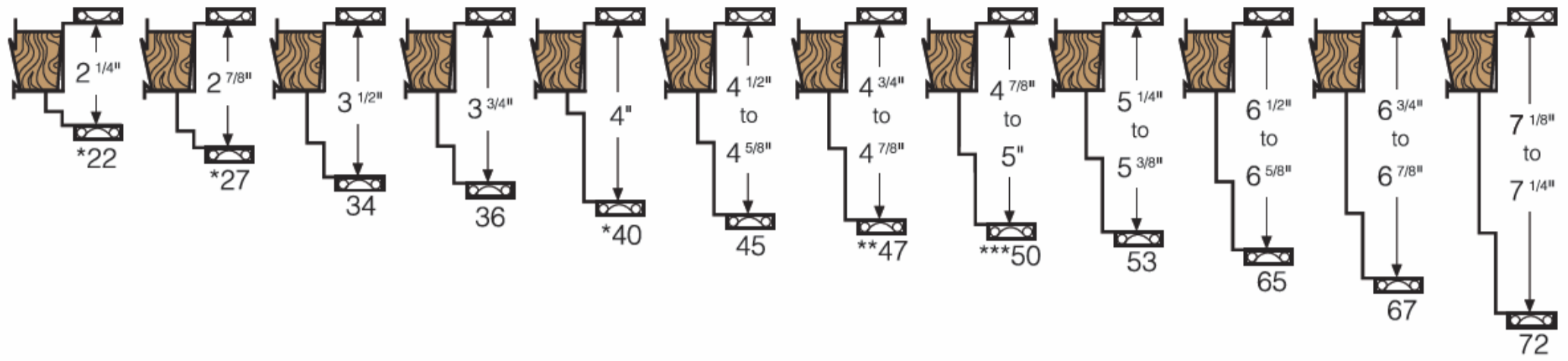


1 1/2" Minimum stub wall required

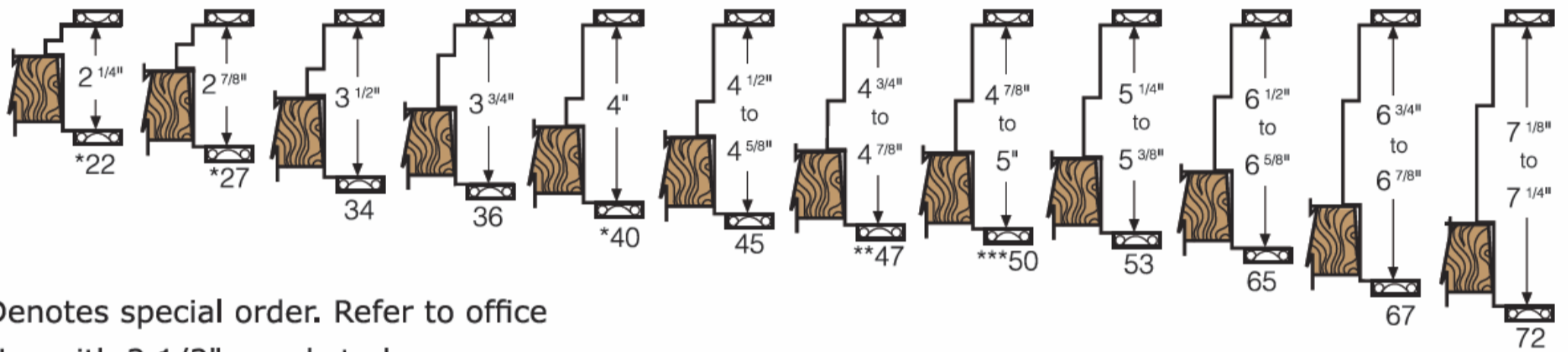


# TIMELY FRAME PROFILES

## FRAME PROFILES FOR 1-3/8" DOORS



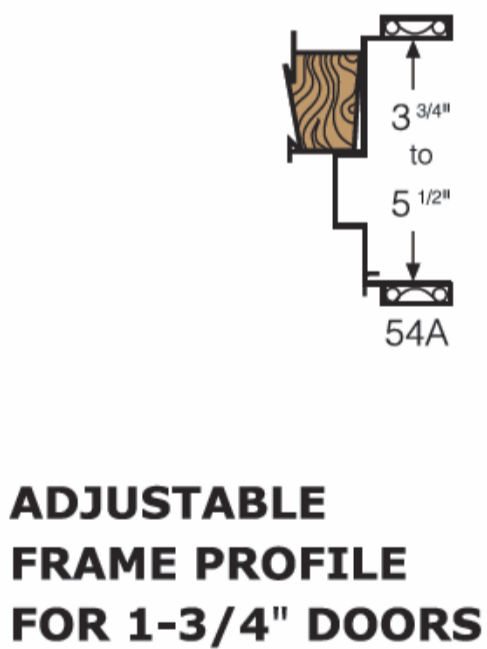
## FRAME PROFILES FOR 1-3/4" DOORS



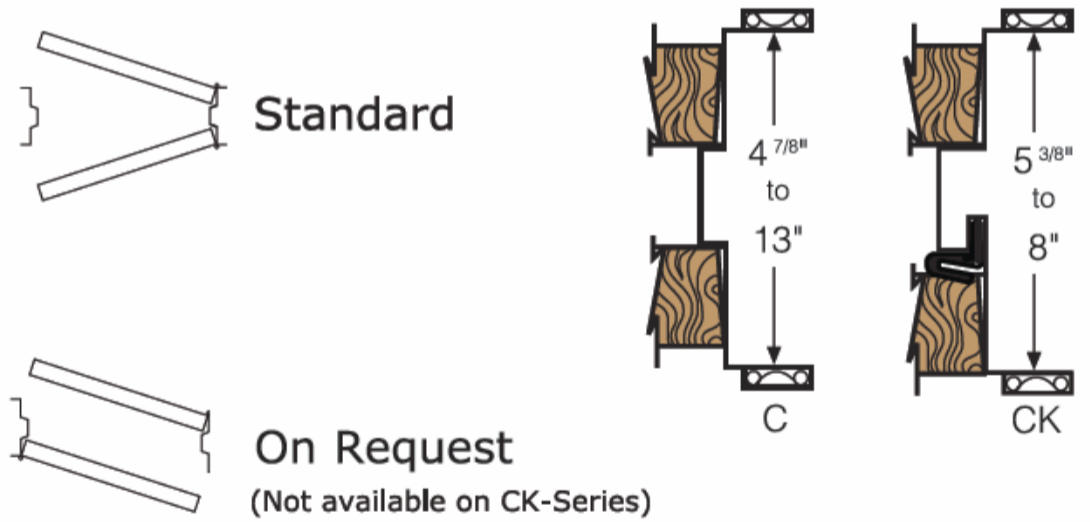
\* Denotes special order. Refer to office

\*\* Use with 3 1/2" wood studs

\*\*\* Use with 3 5/8" steel studs



## FRAME PROFILES COMMUNICATING DOORS



## NON-STANDARD WALL SIZES

Timely Prefinished Steel Door Frames are readily available for non-standard wall sizes up to 13" in width and 10 feet in length. Wall sizes less than 4 1/2" and communicators with equal rabbets are limited to 10 feet in length. Please contact T.M. Cobb for additional information and availability of sizes.

**ADJUSTABLE FRAME (A-SERIES)**

**APPLICATION**

MULTI-FAMILY  
 ASSISTED LIVING  
 LODGING  
 OFFICE  
 MEDICAL OFFICE  
 SCHOOLS

**CONFIGURATION**

SINGLE  
 PAIR  
 BORROWED LIGHT



**ADJUSTABLE KERFED FRAME (AK-SERIES)**

RESIDENTIAL  
 MULTI-FAMILY  
 ASSISTED LIVING

SINGLE  
 PAIR



**CLASSIC FRAME (S-SERIES AND C-SERIES)**

MULTI-FAMILY  
 ASSISTED LIVING  
 LODGING  
 OFFICE  
 MEDICAL OFFICE  
 SCHOOLS

SINGLE  
 SINGLE W/GLAZING  
 SINGLE COMMUNICATING  
 SINGLE ACCESS  
 PAIR  
 PAIR W/GLAZING  
 PAIR COMMUNICATING  
 PAIR ACCESS  
 CASED OPENING  
 BORROWED LIGHT



**DOUBLE EGRESS FRAME (DE-SERIES)**

MULTI-FAMILY  
 ASSISTED LIVING  
 LODGING  
 OFFICE  
 MEDICAL OFFICE  
 SCHOOLS

PAIR




**KERFED FRAME (CK-SERIES)**

MULTI-FAMILY  
 ASSISTED LIVING  
 LODGING  
 OFFICE  
 MEDICAL OFFICE  
 SCHOOLS

SINGLE  
 PAIR  
 COMMUNICATING  
 4-SIDED ACCESS



 **T.M. COBB** is one of the largest stocking distributors of 90 Minute Fire Labeled Timely Frames on the West Coast stocking doors to fit, already machined and ready for same day shipping.

**THE COBB TOTAL OPENING CONCEPT:** The COBB total opening system is designed to combine door frame, door, factory finished and ready to install as a modular unit. COBB Doors are premachined to Timely specifications. Premachining includes preparing doors for hinges and hardware plus sizing to the required clearances and beveling. Frames are stocked in almost every standard wall size, giving this system tremendous flexibility from specification through installation stages. All this with the COBB fast delivery system.

**DURABILITY:** Timely prefinished door frames are constructed of 20 gage cold rolled steel to insure superior strength and impact resistance. Timely frames gain strength at the corners. Patented corner pieces hold casings in place for perfect miters every time. Frames feature a 14 gage reinforcing plate for added hinge support.

**OUR DIFFERENCE IS THE ANCHORAGE:** Timely frames are solidly anchored every 11 inches, directly into wood or metal studs. This method provides a level of structural integrity unmatched by conventional wooden or free-standing hollow metal door frames. The installed Timely frame becomes an integral, maintenance-free part of the wall structure.

**VERSATILITY:** The versatility of the COBB prefinished steel door frame system allows the system to be used in virtually all types of construction. The full spectrum of buildings from luxury hotels, high rise commercial structures, to hospitals, nursing homes, multi-family and single family residential developments are met with equal benefits in performance and economy. Our Basic Frame concept allows total design flexibility. By combining any of our painted or metal finish frames with your choice of casings, an unlimited variety of colors and visual effects can be achieved.

Our Basic Frame with aluminum snap-on casing offers the aesthetic beauty of aluminum with the integrity of steel. It retains the full range of fire ratings up to 90 minutes - priced lower than an all aluminum frame.

COBB also offers an adjustable prefinished door frame with a 3 3/4" - 9 1/8" range to meet any odd wall condition.

**EASE OF INSTALLATION:** Timely prefinished frames are so easy to install that almost any tradesman, regardless of door hanging experience, can learn to install the Timely frame in a matter of minutes. The installation technique is equally adaptable to wood stud, metal stud, solid gypsum or demountable partition systems. The average installer can complete a frame and door installation in less than 15 minutes.

The Timely frame is always installed with the door. The COBB door acts as a template and the frame is adjusted to the door. Adjustment for precise and final fit is made with a screwdriver or awl through alignment slots in the frame. The casing then snaps on to conceal all fasteners. Aligning the frame to the door and securing the adjustable strike assures a precise and rattle free installation every time.

Several tests have been performed comparing the anchorage of Timely frames to traditional steel frames. Written reports of these test results are available upon request. These tests clearly show the Timely frame to exceed hollow metal frames in its ability to support heavy doors.

Frame strength and precision fit are essential elements in providing a secured entry system. By combining a Timely frame with a solid core door and deadbolt, the toughest entry level security requirements are met. Frames and doors are easily prepared for use with special locks and other security devices.

**ECONOMY:** By utilizing Timely prefinished steel frames and COBB premachined doors, the need for costly jobsite labor is drastically reduced. It is no longer necessary for skilled tradesmen to fit the door and prepare for hardware. Finishing costs are greatly reduced because frames and doors are factory prefinished allowing a substantial cost savings. The frame can be installed after the walls are finished, thus eliminating time consuming trimming and cut-in.